

88 PL100
15 WAY R-ANGLE DRANGE PLUG

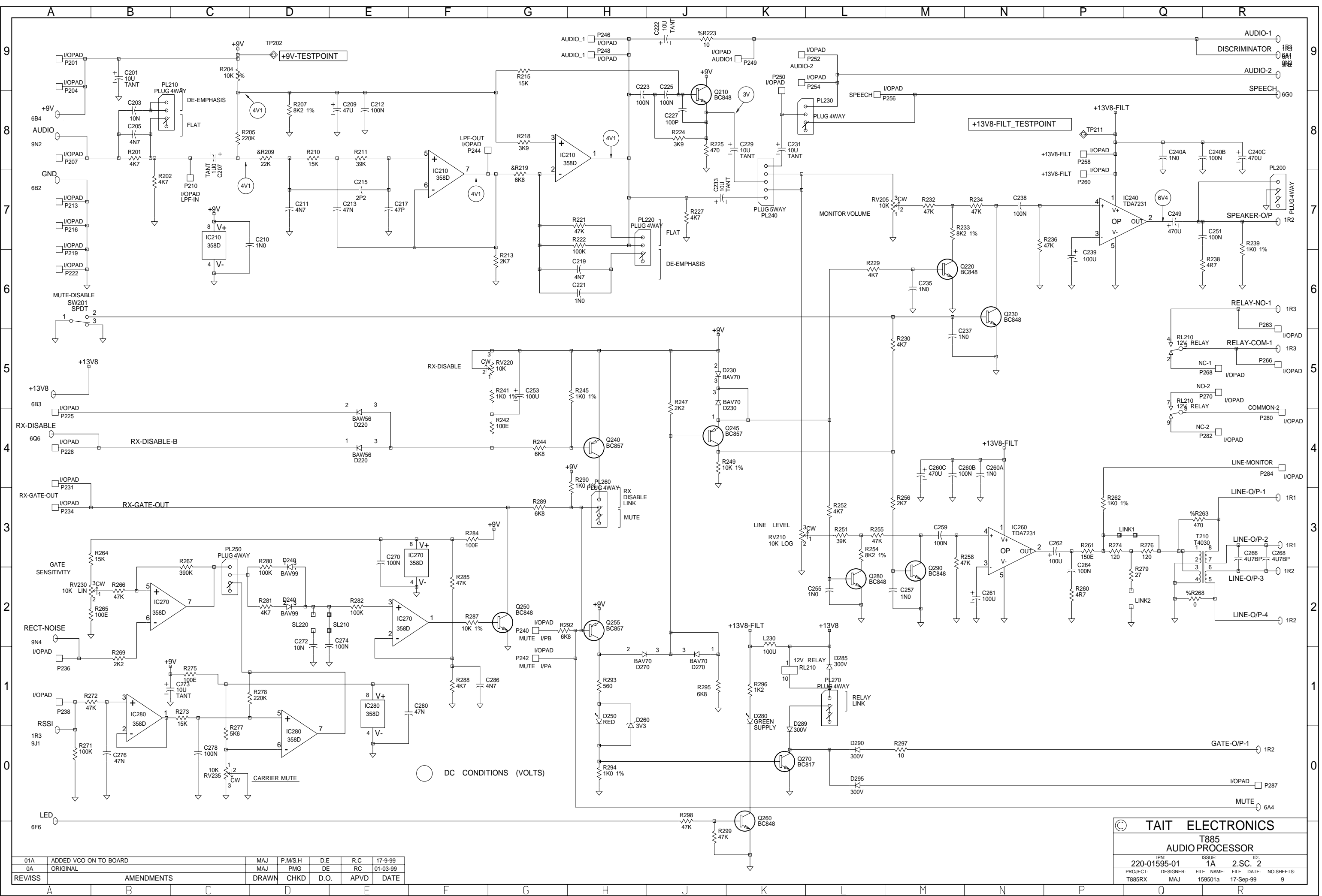
THOLE HOLE
TSLOT SLOT
TOPFIDA FIDUCIAL
TOPFIDB FIDUCIAL

PRODUCT INDICATORS								
-10	-13	-15	-20	-23	-25	-	-	-
T88510 2K2	T88513 2K2	T88515 2K2	T88520 2K2	T88523 2K2	T88525 2K2	T885- 2K2	T885 2K2	T885- 2K2

DGND & GND ARE CONNECTED THROUGH R617 ON SHEET 6

© TAIT ELECTRONICS
T885 RECEIVER
IPN: 220-01595-01 ISSUE: 1A ID: 2.S.C. 1
PROJECT: T885RX DESIGNER: MAJ FILE NAME: 159501a FILE DATE: 17-Sep-99 NO.SHEETS: 9

01A	ADDED VCO ON TO BOARD	MAJ	P.M/S.H	D.E	R.C	17-9-99
0A	ORIGINAL	MAJ	PMG	DE	RC	01-03-99
REV/ISS	AMENDMENTS	DRAWN	CHKD	D.O.	APVD	DATE

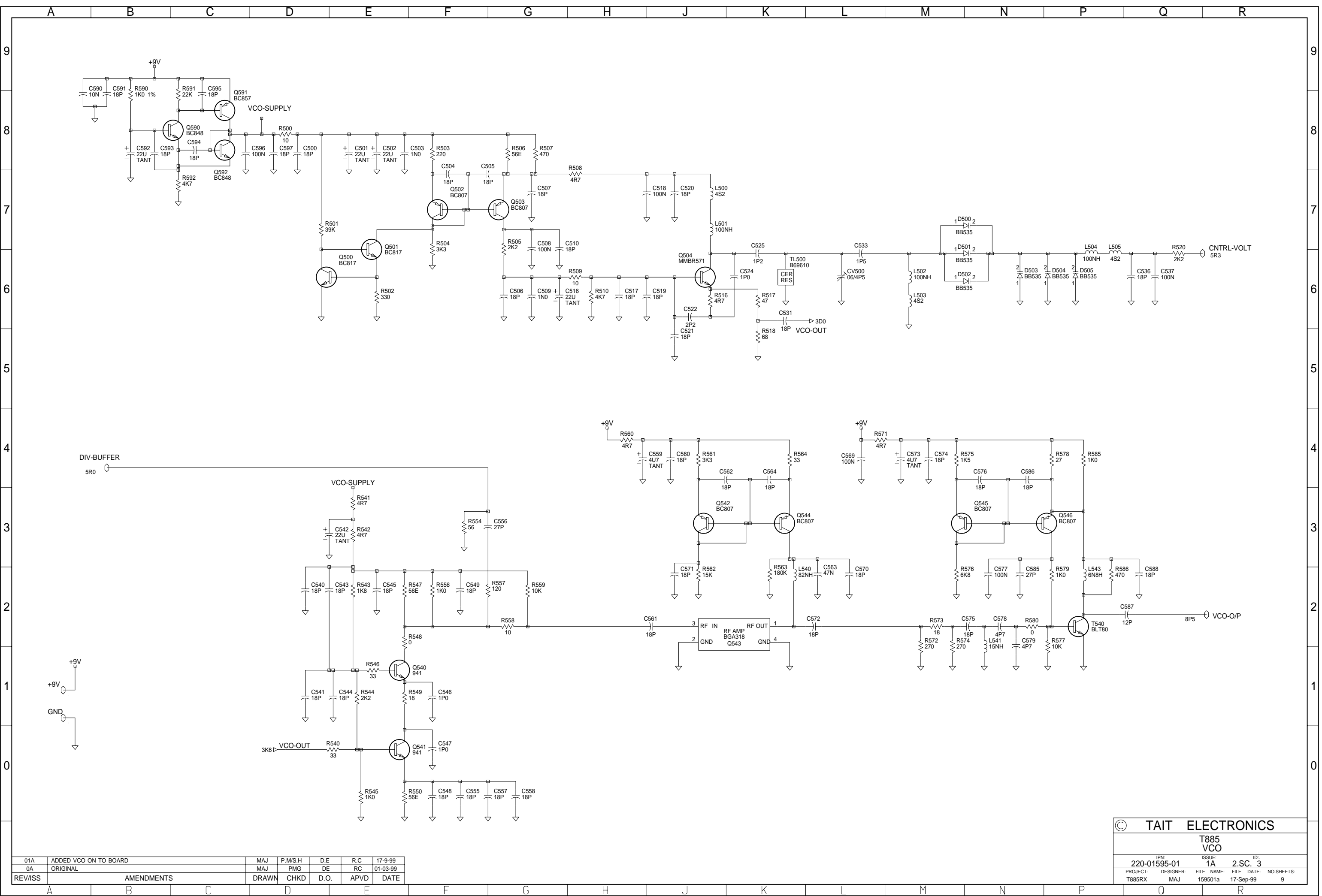


○ DC CONDITIONS (VOLTS)

© TAIT ELECTRONICS
T885
AUDIO PROCESSOR

IPN: 220-01595-01	ISSUE: 1A	ID: 2.S.C. 2
PROJECT: T885RX	DESIGNER: MAJ	FILE NAME: 159501a
	FILE DATE: 17-Sep-99	NO.SHEETS: 9

01A	ADDED VCO ON TO BOARD	MAJ	P.M/S.H	D.E	R.C	17-9-99
0A	ORIGINAL	MAJ	PMG	DE	RC	01-03-99
REV/ISS	AMENDMENTS	DRAWN	CHKD	D.O.	APVD	DATE



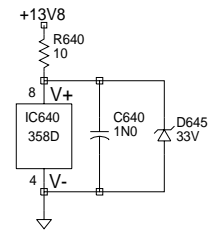
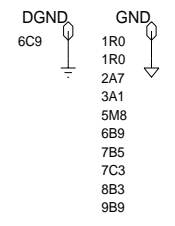
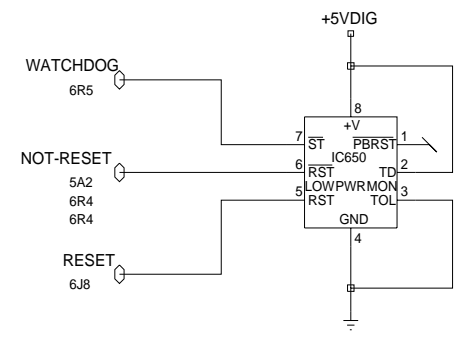
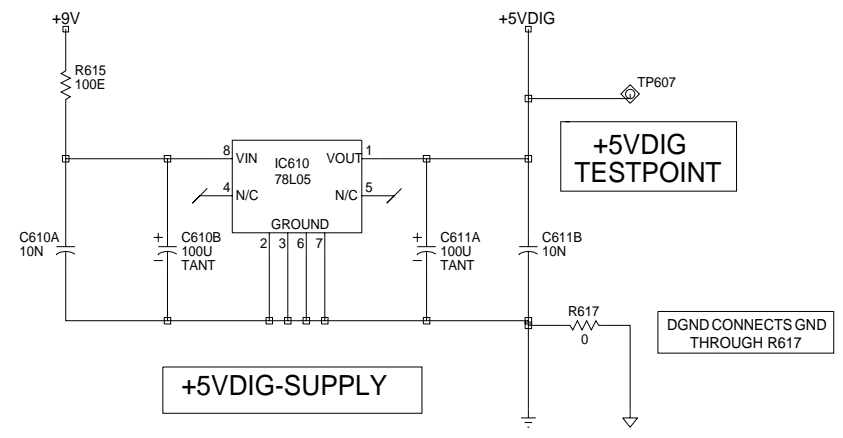
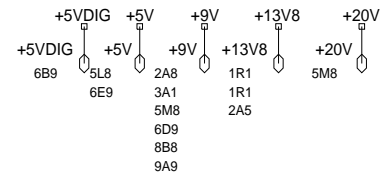
01A	ADDED VCO ON TO BOARD	MAJ	P.M/S.H	D.E	R.C	17-9-99
0A	ORIGINAL	MAJ	PMG	DE	RC	01-03-99
REV/ISS	AMENDMENTS	DRAWN	CHKD	D.O.	APVD	DATE

© TAIT ELECTRONICS

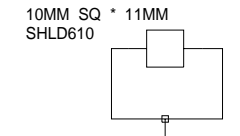
T885
VCO

IPN: 220-01595-01 ISSUE: 1A ID: 2.S.C. 3

PROJECT: T885RX DESIGNER: MAJ FILE NAME: 159501a FILE DATE: 17-Sep-99 NO.SHEETS: 9



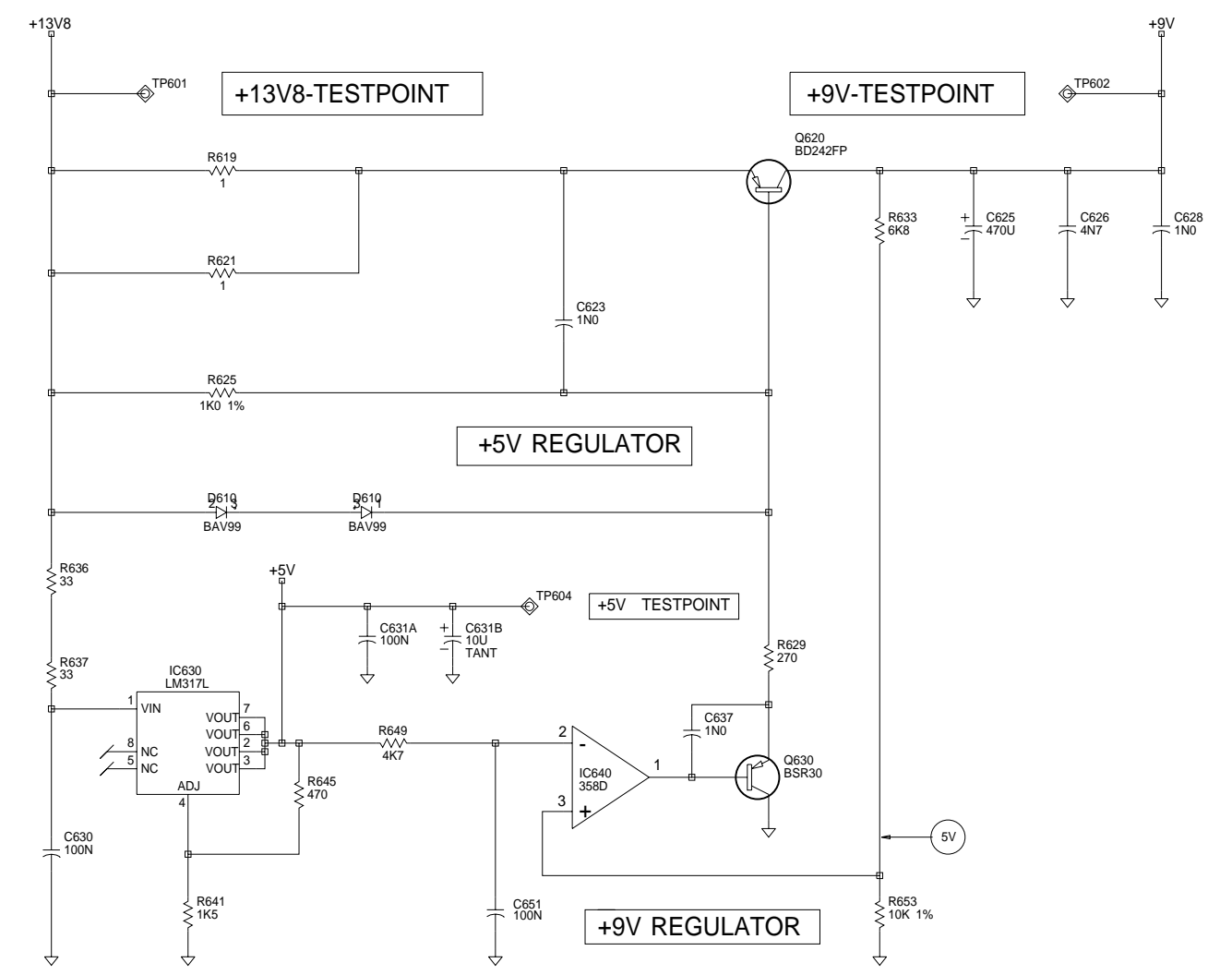
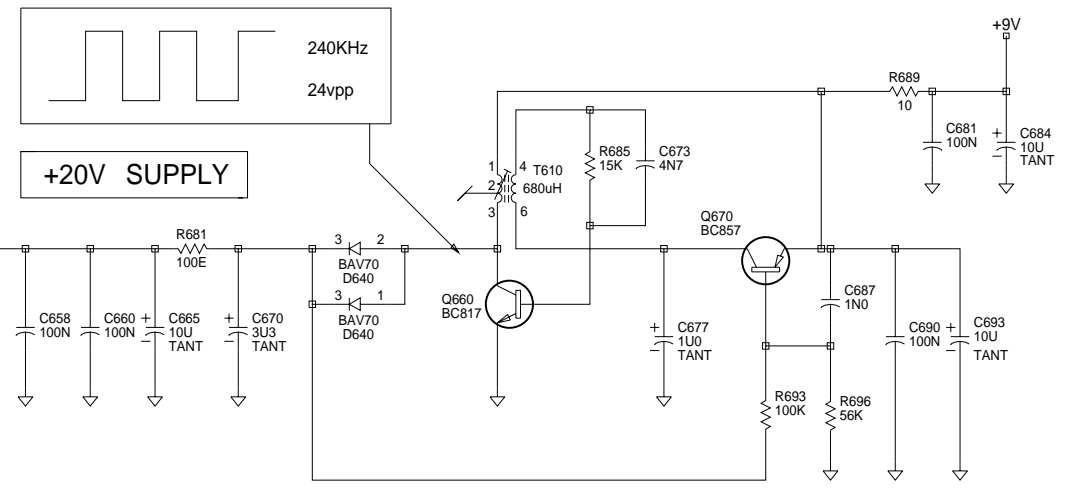
CAN TO SHIELD T610



+20V TESTPOINT

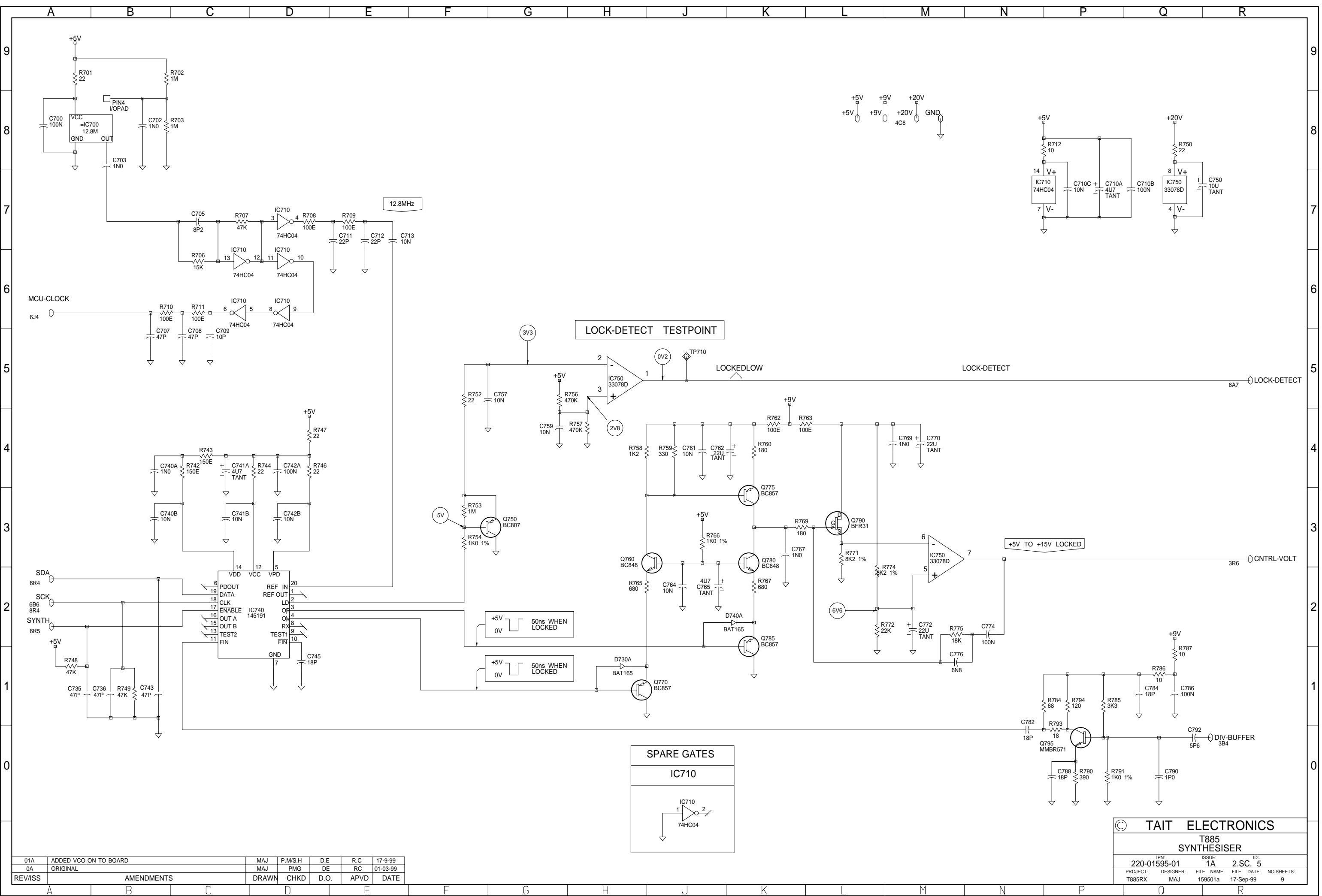
TP603

+20V SUPPLY



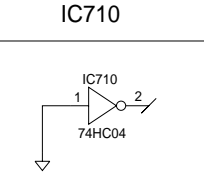
01A	ADDED VCO ON TO BOARD	MAJ	P.M/S.H	D.E	R.C	17-9-99
0A	ORIGINAL	MAJ	PMG	DE	RC	01-03-99
REV/ISS	AMENDMENTS	DRAWN	CHKD	D.O.	APVD	DATE

© TAIT ELECTRONICS			
T885 REGULATOR			
IPN: 220-01595-01	ISSUE: 1A	ID: 2.S.C. 4	
PROJECT: T885RX	DESIGNER: MAJ	FILE NAME: 159501a	FILE DATE: 17-Sep-99
			NO.SHEETS: 9



LOCK-DETECT TESTPOINT

SPARE GATES



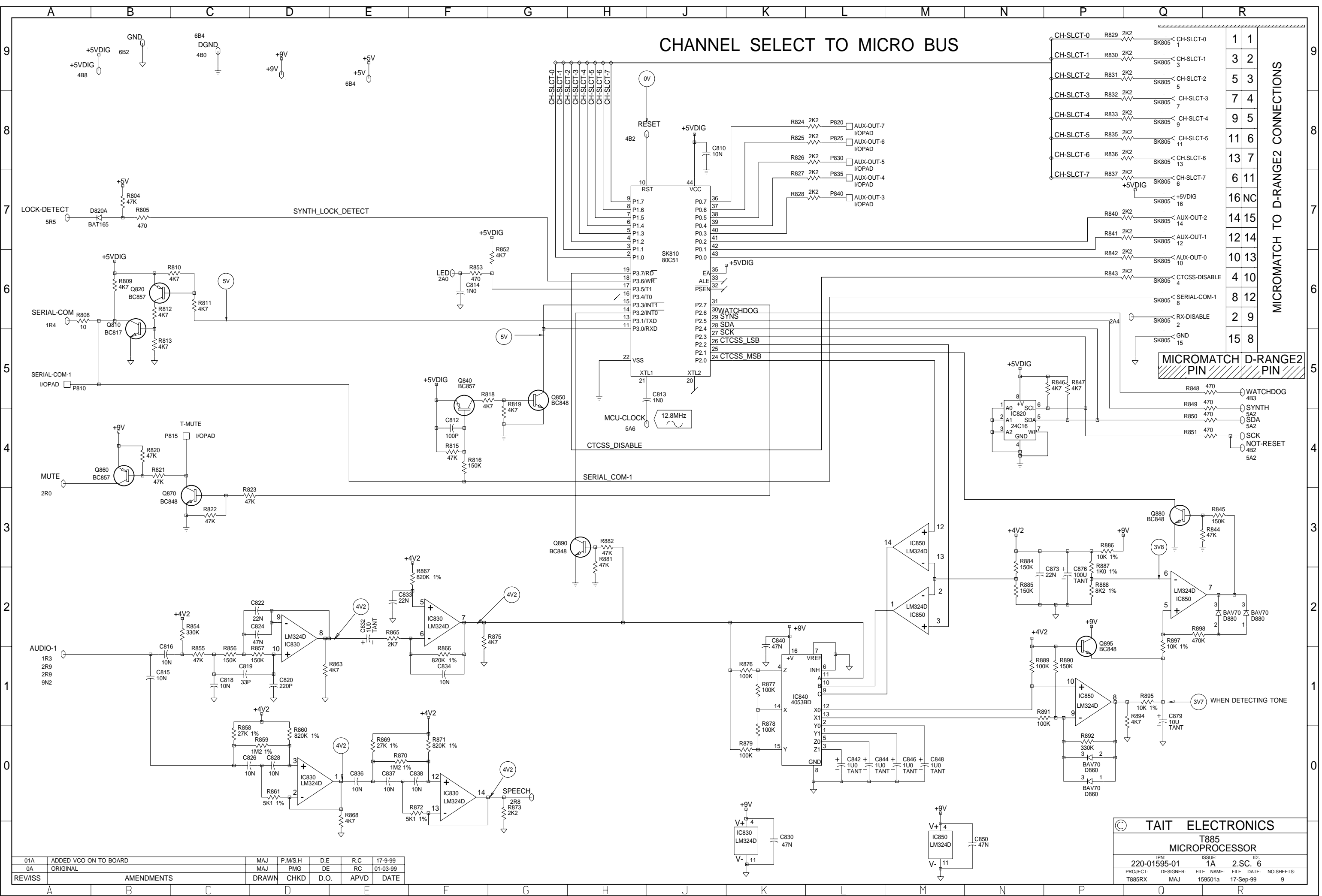
© TAIT ELECTRONICS

T885 SYNTHESISER

IPN: 220-01595-01 ISSUE: 1A ID: 2.S.C. 5
 PROJECT: T885RX DESIGNER: MAJ FILE NAME: 159501a FILE DATE: 17-Sep-99 NO.SHEETS: 9

01A	ADDED VCO ON TO BOARD	MAJ	P.M/S.H	D.E	R.C	17-9-99
0A	ORIGINAL	MAJ	PMG	DE	RC	01-03-99
REV/ISS	AMENDMENTS	DRAWN	CHKD	D.O.	APVD	DATE

CHANNEL SELECT TO MICRO BUS



MICROMATCH TO D-RANGE2 CONNECTIONS

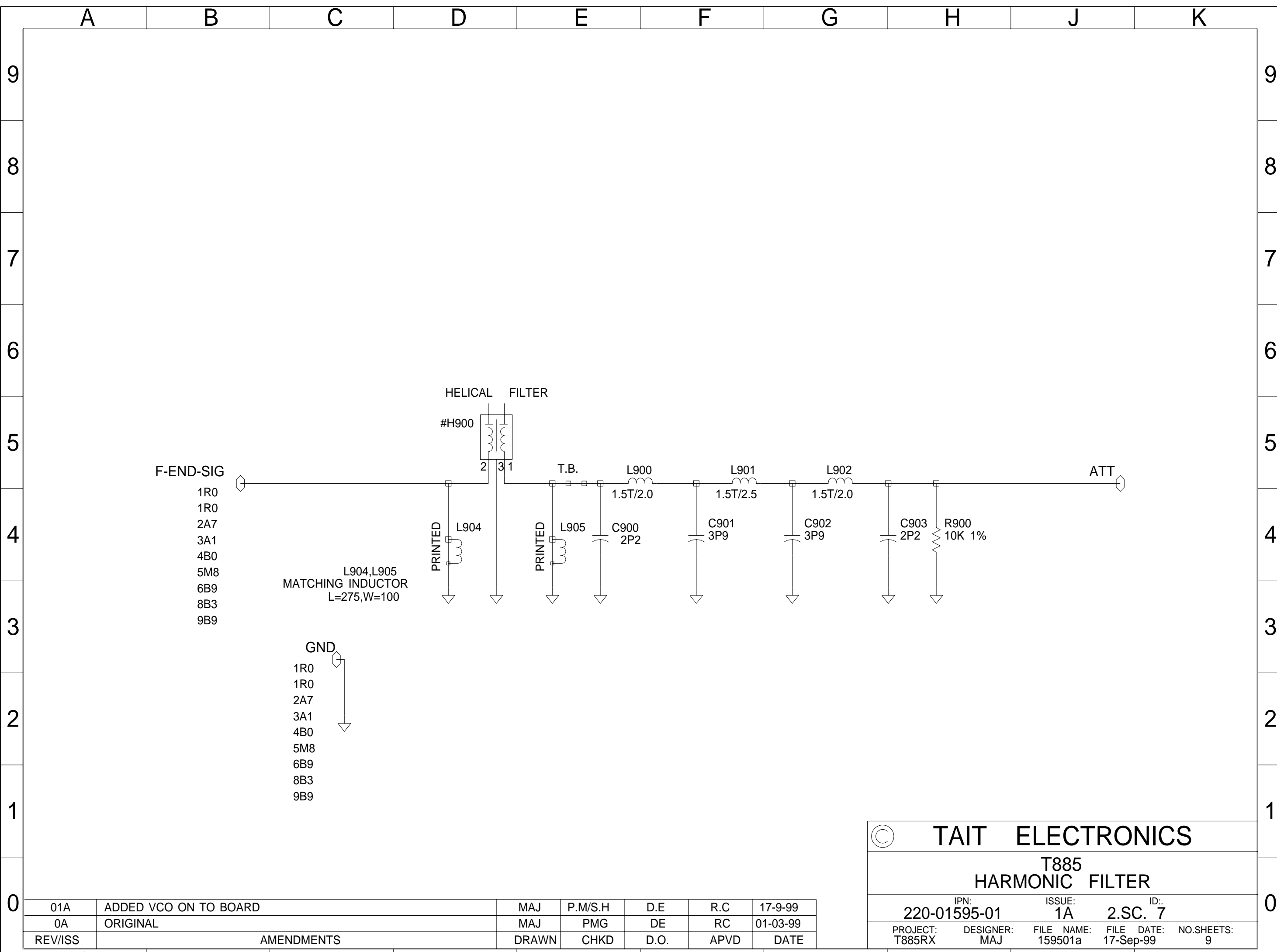
MICROMATCH D-RANGE2 PIN	
1	1
3	2
5	3
7	4
9	5
11	6
13	7
6	11
16	NC
14	15
12	14
10	13
8	12
2	9
15	8

© TAIT ELECTRONICS

T885 MICROPROCESSOR

IPN: 220-01595-01	ISSUE: 1A	ID: 2.S.C. 6
PROJECT: T885RX	DESIGNER: MAJ	FILE NAME: 159501a
FILE DATE: 17-Sep-99	NO. SHEETS: 9	

01A	ADDED VCO ON TO BOARD	MAJ	P.M/S.H	D.E	R.C	17-9-99
0A	ORIGINAL	MAJ	PMG	DE	RC	01-03-99
REV/ISS	AMENDMENTS	DRAWN	CHKD	D.O.	APVD	DATE



F-END-SIG
 1R0
 1R0
 2A7
 3A1
 4B0
 5M8
 6B9
 8B3
 9B9

L904,L905
 MATCHING INDUCTOR
 L=275,W=100

GND
 1R0
 1R0
 2A7
 3A1
 4B0
 5M8
 6B9
 8B3
 9B9

HELICAL FILTER

#H900
 2 3 1

T.B.

L900

L901

L902

ATT

1.5T/2.0

1.5T/2.5

1.5T/2.0

PRINTED L904

PRINTED L905

C900
2P2

C901
3P9

C902
3P9

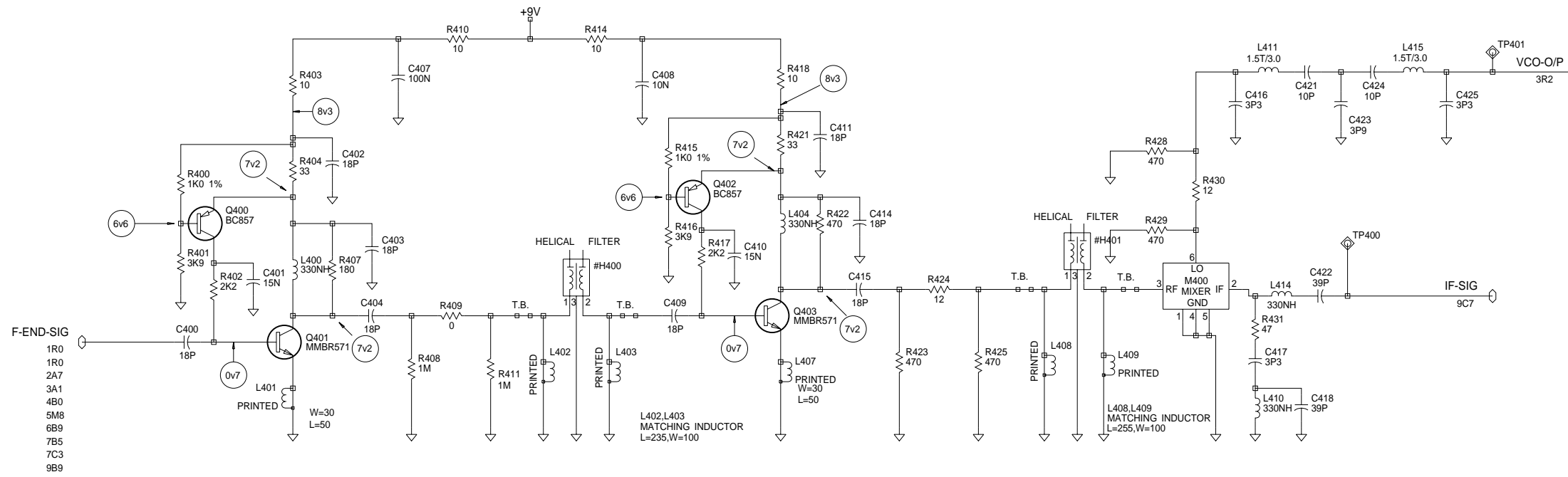
C903
2P2

R900
10K 1%

© TAIT ELECTRONICS						
T885 HARMONIC FILTER						
IPN: 220-01595-01		ISSUE: 1A		ID: 2.SC. 7		
PROJECT: T885RX	DESIGNER: MAJ	FILE NAME: 159501a	FILE DATE: 17-Sep-99	NO.SHEETS: 9		

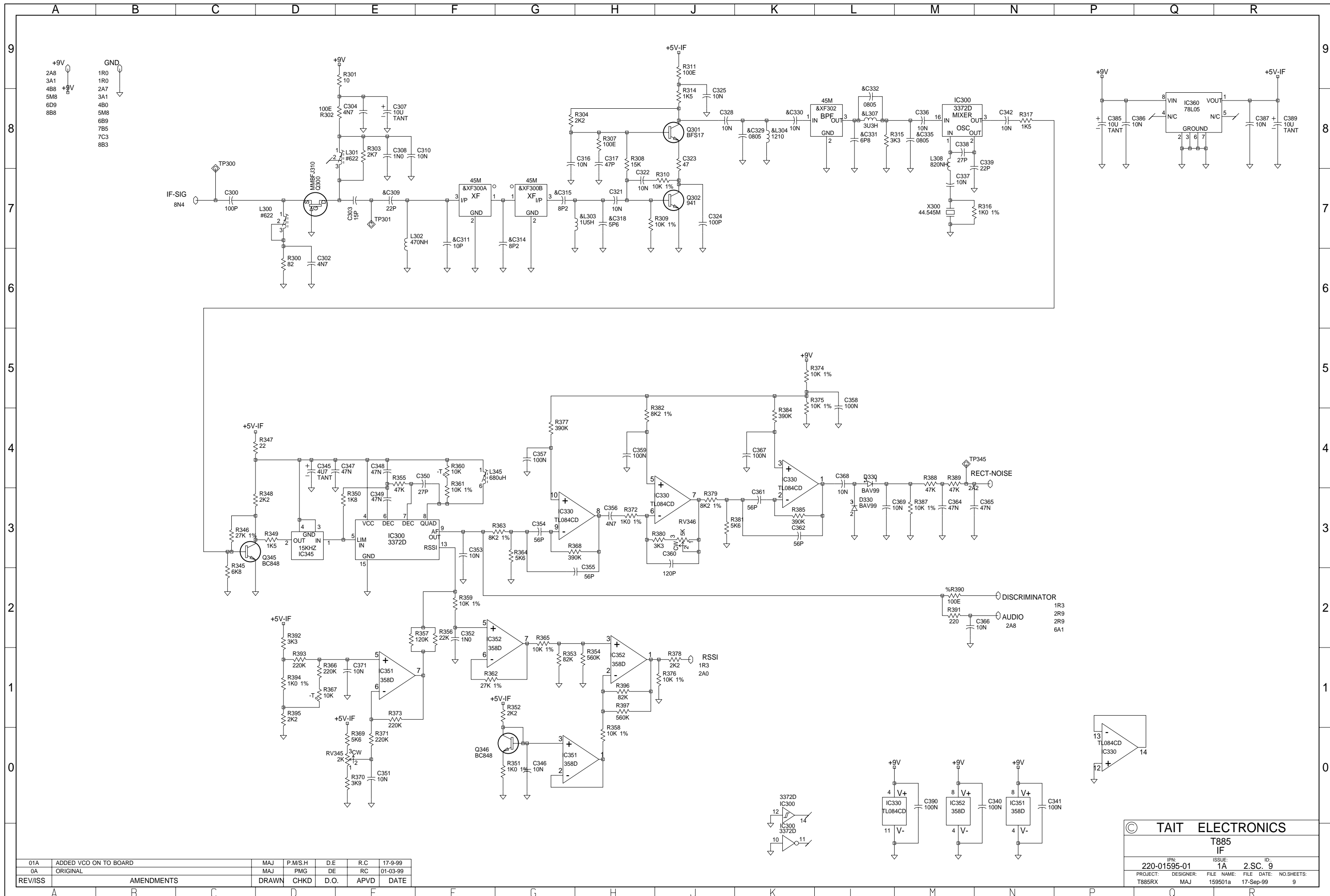
01A	ADDED VCO ON TO BOARD	MAJ	P.M/S.H	D.E	R.C	17-9-99
0A	ORIGINAL	MAJ	PMG	DE	RC	01-03-99
REV/ISS	AMENDMENTS	DRAWN	CHKD	D.O.	APVD	DATE

+9V	GND
2A8	1R0
3A1	1R0
4B8	2A7
5M8	3A1
6D9	4B0
9A9	5M8
	6B9
	7B5
	7C3
	9B9



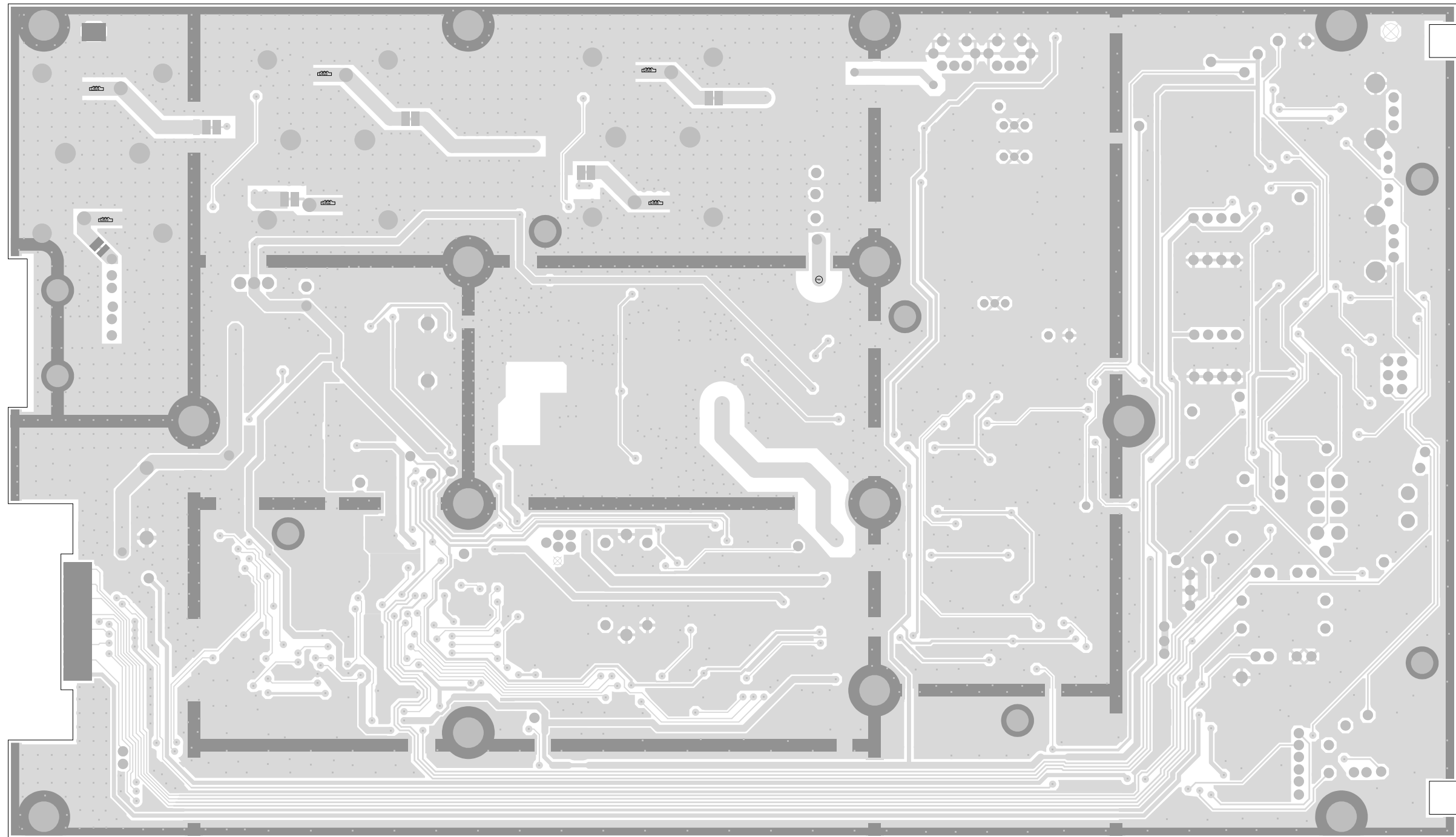
01A	ADDED VCO ON TO BOARD	MAJ	P.M/S.H	D.E	R.C	17-9-99
0A	ORIGINAL	MAJ	PMG	DE	RC	01-03-99
REV/ISS	AMENDMENTS	DRAWN	CHKD	D.O.	APVD	DATE

© TAIT ELECTRONICS			
T885 FRONT END			
IPN: 220-01595-01	ISSUE: 1A	ID: 2.S.C. 8	
PROJECT: T885RX	DESIGNER: MAJ	FILE NAME: 159501a	FILE DATE: 17-Sep-99
			NO.SHEETS: 9



01A	ADDED VCO ON TO BOARD	MAJ	P.M/S.H	D.E	R.C	17-9-99
0A	ORIGINAL	MAJ	PMG	DE	RC	01-03-99
REV/ISS	AMENDMENTS	DRAWN	CHKD	D.O.	APVD	DATE

© TAIT ELECTRONICS			
T885			
IF			
IPN:	ISSUE:	1A	ID: 2.S.C. 9
PROJECT: T885RX	DESIGNER: MAJ	FILE NAME: 159501a	FILE DATE: 17-Sep-99
		NO SHEETS:	9



9
8
7
6
5
4
3
2
1

Q P N M L K J H G F E D C B A

TAIT ELECTRONICS	IPN: 220-01595-01	ISS: A	ID: 2.BA	DATE: 17 Sep 1999
885 RECEIVER PCB LAYOUT - BOTTOM SIDE				

Scale:1.2:1 ; Rotation: 0 degrees